



DEPARTMENT OF THE ARMY
THE INSTITUTE OF HERALDRY, UNITED STATES ARMY
CAMERON STATION, ALEXANDRIA, VIRGINIA 22314

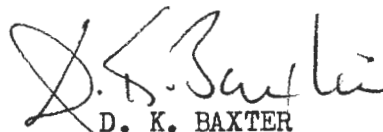
1 5 MAY 1979

DAAG-HDP-A

MEMORANDUM FOR RECORD

SUBJECT: Shoulder Sleeve Insignia for the U. S. Army Control, Thailand

1. The shoulder sleeve insignia approved for the U. S. Army Control, Thailand by letter AGAH-A, this Institute, subject as above, dated 16 September 1966, is rescinded this date.
2. The above action is taken in accordance with information received from Organization and Directory Branch, TAGCEN which indicates that Hq, U. S. Army Support, Thailand was redesignated Military Assistance Command, Thailand Support Group on 1 July 1974 and further redesignated 14 October 1975 as the US Army element, U. S. Military Assistance Command Thailand Support Group. The US Army element, U. S. Military Assistance Command Thailand Support Group was discontinued by DAMO-FDP-DCSOPS letter dated 16 November 1976 with an effective date of 20 July 1976.


D. K. BAXTER
Colonel, GS
Director

CF: D&I Div (Action)
Tech Div (Action)
Supply (Info)


1 5 MAY 1979

AGAH-A

13 OCT 1966

SUBJECT: Shoulder Sleeve Insignia for the U. S. Army Support, Thailand

THRU: Commander In Chief
U. S. Army, Pacific
APO SF 96558

TO: Commanding General
U. S. Army Support, Thailand
APO SF 96249


1. Letter AGAH-A, Subject: Shoulder Sleeve Insignia for the U. S. Army Control, Thailand, dated 16 September 1966 is amended this date to change the unit designation of the organization from U. S. Army Control, Thailand, to U. S. Army Support, Thailand.
2. The remainder of the above cited letter is unchanged.
3. The above change is in accordance with DA Message 784444, ACSFOR, dated 30 September 1966.
4. This authorization letter will become a permanent file of the organization in accordance with File No. 206-06 Organizational history files, AR 345-210.

Cy furnished: D&I Div

Tech Div

Concurrence: Chief, D&I Div *CR*

Chief, Tech Div *SLB*


ED V. HENDREN, JR.
Colonel, AGC
Commanding

Prep Date: 11 Oct 66

ART DUE DATE: ASAP

Mrs. Vesley *V.C.*

Riley 781634

Sims

RECORDS

AGAH-A

16 SEP 1966

SUBJECT: Shoulder Sleeve Insignia for the U. S. Army Control, Thailand

**TO: Commanding General
U. S. Army Control, Thailand
APO SF 96249**

1. A shoulder sleeve insignia for the U. S. Army Control, Thailand is authorized. The description and symbolism are as follows:

DESCRIPTION

On a red equilateral triangle with each side convex and 2 7/8 inches in width overall, a medium blue vertical stylized arrow edged white issuing from the base the arrowhead conforming to and coinciding with the upper angle area, and all surmounted by two white elephant tusks in perspective, the tips of the tusks outward and upward and crossed saltirewise below the rounded lower edges of the arrowhead, the entire insignia within a 1/8 inch red border.

SYMBOLISM

Red signifies the enemy threat. The blue arrow refers to the penetration of threat and offensive action. The elephant tusks symbolize Thailand and the barring of enemy infiltration.

2. The shoulder sleeve insignia will be worn as prescribed in AR 670-5.
3. This authorization letter will become a permanent file of the organization in accordance with File No. 206-06 Organizational history files, AR 345-210.
4. This authorization is in accordance with:
 - a. Paragraph 137a(1)(o), Changes 4, AR 670-5, 12 October 1963.


16 SEP 1966

AGAH-A

SUBJECT: Shoulder Sleeve Insignia for the U. S. Army Control, Thailand

b. DA Message 760788, 18 April 1966.

c. General Orders No. 88, USAHPAC, 21 April 1966, effective
25 April 1966.


ED V. HENDERSON, JR.
Colonel, AGC
Commanding

Cy furnished: Tech Div.
D&I Div.

Prep date: 16 Sep 66

^{See 11.1}
Mrs. Quast

Concurrence: Chief, CH Div.

CAR [initials]

~~Riley/81634~~

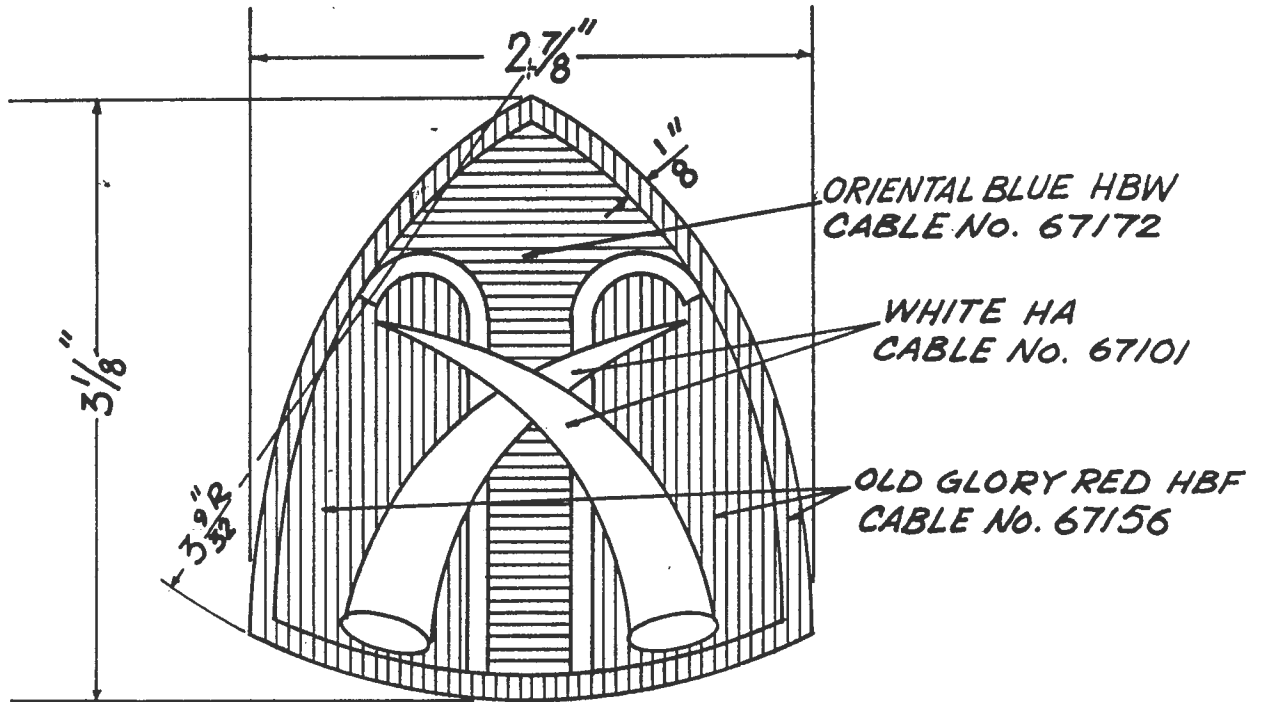
RIS
Sims

MFR: Background material on case is classified.

FOR SUBDUED INSIGNIA
 BLUE AND RED AREAS
 TO BE OD HAH, CABLE
 No. 67133. WHITE
 AREAS TO BE BLACK
 HAN, CABLE No. 67138.

REVISIONS

LTR	DESCRIPTION	DATE	APPROVED
-----	-------------	------	----------



STITCH COUNT
 7674 STITCHES (MINIMUM)
 100/2 DENIER
DESIGNED FOR OVEREDGE STITCHING

SUPESEDES DWG.No. A-1-434, DATED 22 SEPTEMBER 1966

UNLESS OTHERWISE SPECIFIED DIMENSIONS ARE IN INCHES TOLERANCES ON FRACTIONS DECIMALS ANGLES

MATERIAL:

EXAMINED	CR	
CHECKED	gds	EG
PREPARED	JH	
APPROVED	<i>[Signature]</i>	
CHARLES R. SPITZLER, COLONEL, AGC DIRECTOR		

THE INSTITUTE OF HERALDRY, U.S. ARMY
 CAMERON STATION ALEXANDRIA, VA. 22314

SHOULDER SLEEVE INSIGNIA
 U.S. ARMY SUPPORT THAILAND

SIZE	CODE IDENT. NO.	A-1-434
A	22571	

SCALE FULL DATE 3 SEPTEMBER 1974

CANCELLED 31 JANUARY 1978

